

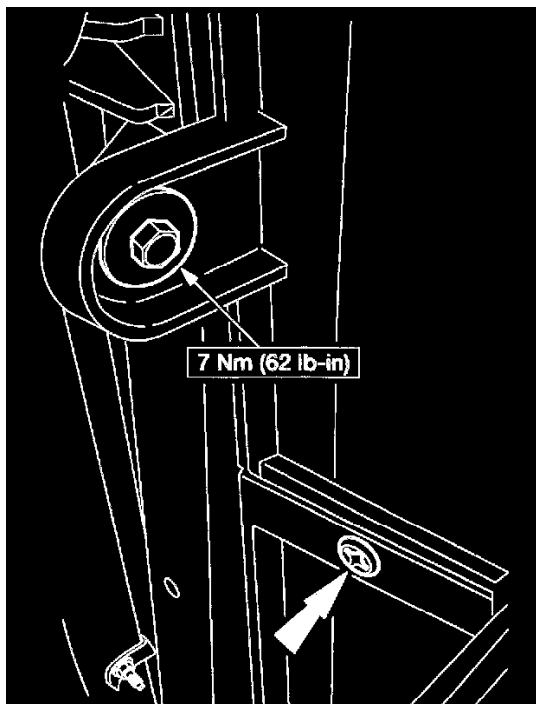
Engine Mount: Service and Repair

Engine Support Insulators

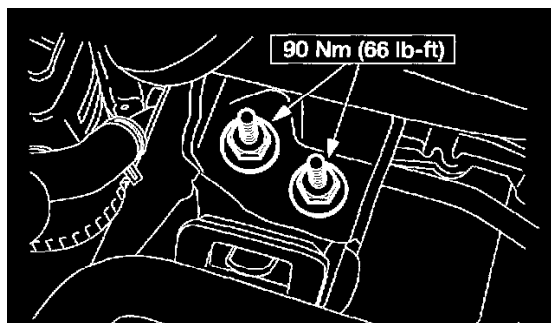
Removal and Installation

All Vehicles

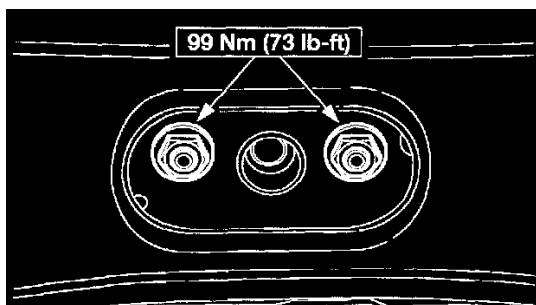
1. Disconnect the battery ground cable.



2. Remove the upper radiator fan shroud.

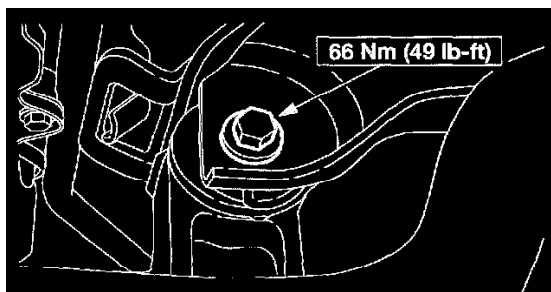


3. Remove the nuts from the right side motor mount.
4. Remove the front wheel and tire assemblies.

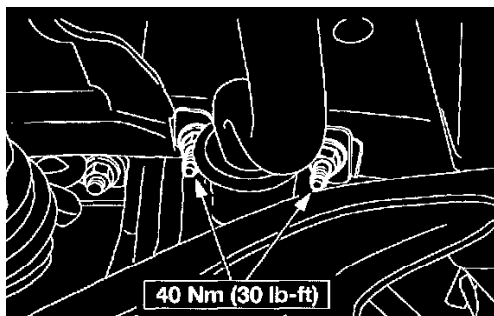


5. Loosen the transmission-to-crossmember nuts.

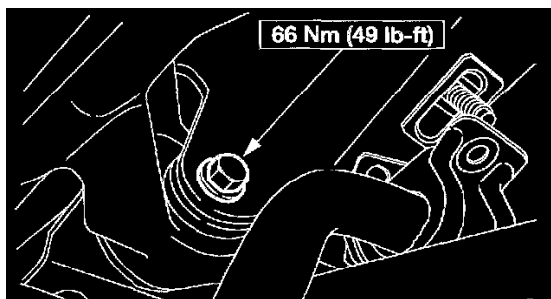
On 4x4 Vehicles



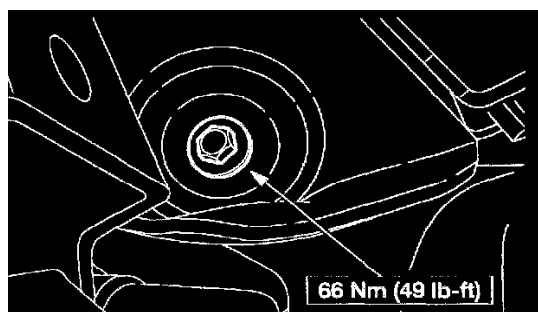
6. Remove the bolt from the right side axle housing bushing.



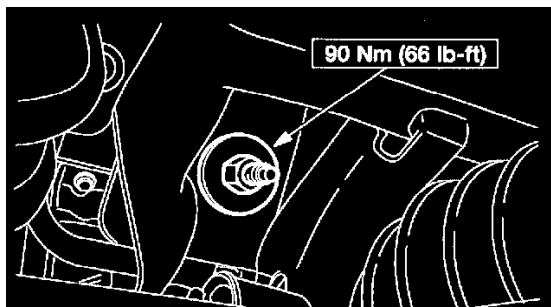
7. Remove both the right side and the left side stabilizer bar bracket nuts.



8. Remove the left side lower axle housing bushing.

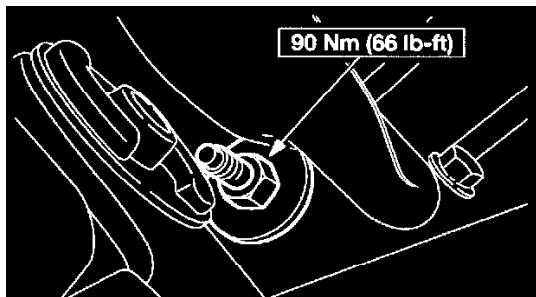


9. Remove the left side upper axle housing bushing.

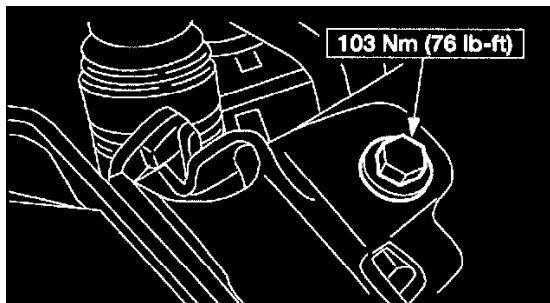


All Vehicles

10. Remove the right lower mount nut and washer.



11. Remove the left lower mount nut and washer.



12. Remove the bolt from the left side motor mount.
13. Using a suitable jack, raise the right side of the engine until there is enough clearance to remove the right motor mount.
14. Remove the right side motor mount.
15. Using a suitable jack, raise the left side of the engine until there is enough clearance to remove the left motor mount.
16. Remove the left side motor mount.
17. To install, reverse the removal procedure.